



[www.taekang.net](http://www.taekang.net)

# EXCAVATOR ATTACHMENT

For the great steps to the creative future of our valuable customers,  
Taekang will do utmost efforts all the time



# Auger Hammer

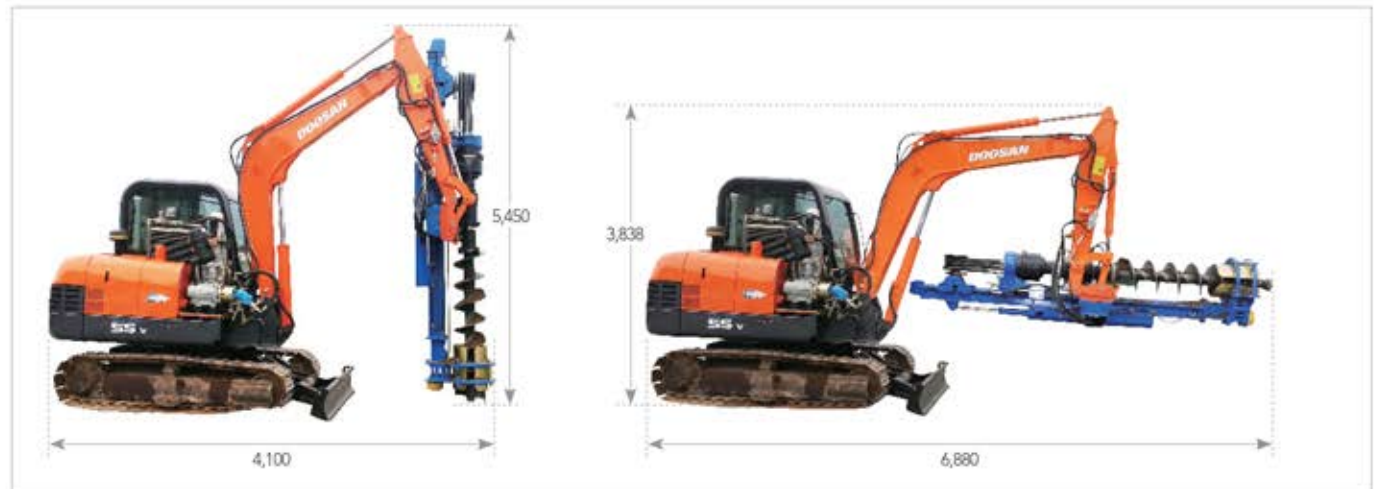
Our hammer drill is designed to be easily installed at any excavators and provide good performance at narrow area of construction sites and civil engineering sites with air compressor which is integrated with the machine.



## SPECIFICATIONS

	Description	Unit	Spec.	Remarks
Auger Hammer for attaching Excavator (Feeder type)	Auger Torque	kgf.m	below 1,500	
	Feed Torque	kgf.m	150	
	Moving Distance for Slide Support	mm	500	
	Moving Distance for Feeder	mm	2000	
	Hammer Bit Diameter	mm	150	
	Screw Diameter(Digging Diameter)	mm	380	
	Max. Working Depth	mm	4,000	
	Compressor Capacity	m <sup>3</sup>	1	
	Applicable Excavator	Ton	Over 14	
	Application	Engineering Works (Vertical and Horizontal Drilling)		

## DIMENSION





# Auger Screw

Attached on the forefront of excavator and it is suitable for vertical hole drilling work. It can be used with 8~34 ton excavator.



Under hole drilling work

The shape of drilled hole



## SPECIFICATIONS

Description			TK-A100	TK-A200	TK-A500
Excavator			8~15 Ton	18~29 Ton	Remarks
Auger	Torque	kgf.m	800	2,200	4,500
	Oil Flow	lpm	150~200	150~250	150~250
	Oil Pressure	bar	350	350	350
	Hydraulic Hoses	inch	1/2, 3/4 BSP	3/4, 1 BSP	1 BSP
	Output Shaft(Hex.)	mm	70	110	110,140
Unit	Weight	Kg	350	400	500
	Height	mm	680	780	850
	Diameter	mm	φ326	φ395	φ470
Screw	Length	mm	4,000	6,000	6,000
	Diameter Range	mm	φ350~φ450	φ350~φ450	φ350~φ450



# Rock Drill **HRD-300S Series**



**Wireless Control Receiver**



**Rock Drifter**



**Option-Air Compressor**



**Option-Dust Collector**



## SPECIFICATIONS

	Model	HRD-300S	HRD-300S-1	HRD-300S-2	REMARK
Technical Data	Length(Drifter)	5,300 mm (227.5 mm)	5,300 mm (227.5 mm)	5,300 mm (227.5 mm)	
	With Shank Adaptor	(879.5 mm)	(879.5 mm)	(879.5 mm)	
	Width(Drifter)	1,500 mm (274.5 mm)	1,500 mm (274.5 mm)	1,500 mm (274.5 mm)	
	Height(Drifter)	2,700 mm (201 mm)	2,700 mm (201 mm)	2,700 mm (201 mm)	
	Profile Height,Drifter	(76 mm)	(76 mm)	(76 mm)	
	Weight(Drifter)	2,000 kg (100kg)	2,000 kg (100kg)	2,000 kg (100kg)	With Out Compressure and Dust Collector
Percussion Mechanism	Operation Pressure	150 bar	150 bar	150 bar	
	Percussion Rate	50 Hz	50 Hz	50 Hz	
	Output Power	8 kw	8 kw	8 kw	
	Oil Flow	60 liter/min	60 liter/min	60 liter/min	
Rotation Mechanism	Motor	OMP-80	OMP-100	OMP-125	
	Oil Flow	52 liter/min	60liter/min	74 liter/min	
	Torque	48 kg-m(473Nm)	60 kg-m(593Nm)	77 kg-m(760Nm)	
	Speed	0-250 rpm	0-250 rpm	0-250 rpm	
Feed Mechanism	Motor & Cylinder(Torque)	175kg-m(1,715Nm)	175kg-m(1,715Nm)	175kg-m(1,715Nm)	10 bar-150 bar
	Operation Pressure	150bar	150bar	150bar	Drilling 3-5 liter/min
	Oil Flow	50 liter/min	50 liter/min	50 liter/min	Feeding 3-50 liter/min
Accumulator Gas	High Pressure(HP)	45 bar	45 bar	45 bar	
	Low Pressure(LP)	4 bar	4 bar	4 bar	
Flushing Air	Air Flow	3.5 m³/min	3.5 m³/min	3.5 m³/min	
	Air Pressure	6-7 bar	6-7 bar	6-7 bar	
Lubrication	Air Flow	0.12 m³/min	0.12 m³/min	0.12 m³/min	
	Air Pressure	3 bar	3 bar	3 bar	
Flushing Water	Water Flow	2.5liter/min	2.5liter/min	2.5liter/min	
	Air Pressure	7 bar	7 bar	7 bar	
Shank Adaptor	Shank	R32	R32	R32	
	Hole Range	48-64 mm	48-64 mm	48-64 mm	

# Rock Drifter **HRD-300S/500S Series**

As an important component of drill machine, it is a rock drill for bedrock



HRD-300S Series

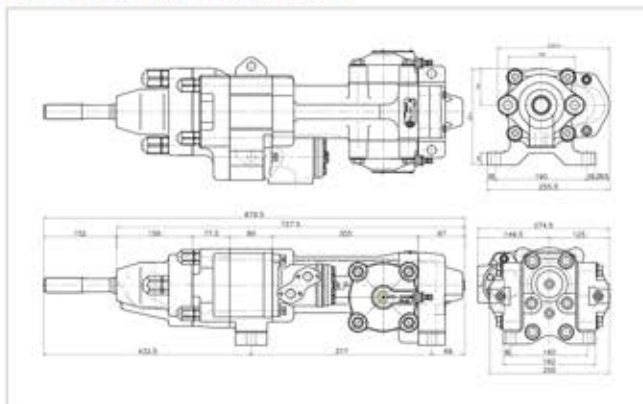


HRD-500S Series

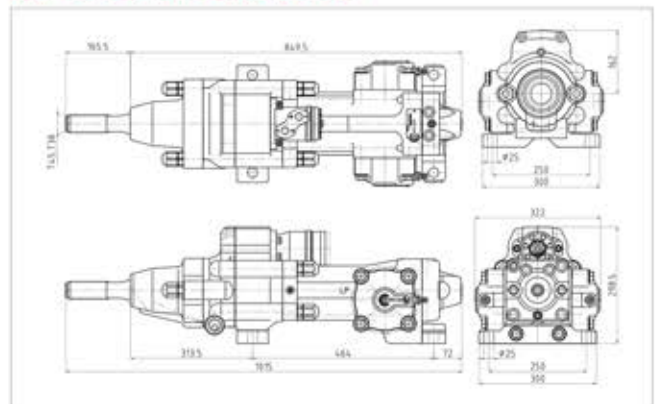
## SPECIFICATIONS

Model		HRD-300S	HRD-300S-1	HRD-300S-2	REMARK	HRD-500S	HRD-500S-1	HRD-500S-2	REMARK
Technical Data	Length	727.5 mm	727.5 mm	727.5 mm		849.5 mm	849.5 mm	849.5 mm	
	With Shank Adaptor	879.5 mm	879.5 mm	879.5 mm		1015 mm	1015 mm	1015 mm	
	Width	274.5 mm	274.5 mm	274.5 mm		322 mm	322 mm	322 mm	
	Height	201 mm	201 mm	201 mm		298.5 mm	298.5 mm	298.5 mm	
	Profile Height	76 mm	76 mm	76 mm		-	-	-	
Percussion Mechanism	Weight	100kg	100kg	100kg		180kg	180kg	180kg	
	Operation Pressure	150 bar	150 bar	150 bar		150 bar	150 bar	150 bar	10 bar-150 bar
	Percussion Rate	50 Hz	50 Hz	50 Hz		50 Hz	50 Hz	50 Hz	
	Output Power	8 kw	8 kw	8 kw		16 kw	16 kw	16 kw	
Rotation Mechanism	Oil Flow	60 liter/min	60 liter/min	60 liter/min		100-120 liter/min	100-120 liter/min	100-120 liter/min	100-120 liter/min
	Motor	OMP-80	OMP-100	OMP-125		OMP-160	OMP-200	OMP-250	10 bar-135 bar
	Oil Flow	52 liter/min	60 liter/min	74 liter/min		82 liter/min	102 liter/min	128 liter/min	10-128 liter/min
	Torque	48 kg-m(473Nm)	60 kg-m(593Nm)	77 kg-m(760Nm)		62 kg-m(615Nm)	75 kg-m(738Nm)	90 kg-m(880Nm)	
Feed Mechanism	Speed	0-250 rpm	0-250 rpm	0-250 rpm	10 bar-150 bar Drilling 3-5 liter/min Feeding 3-50 liter/min	0-250 rpm	0-250 rpm	0-250 rpm	
	Motor & Cylinder(Torque)	175kg-m(1,715Nm)				175kg-m(1,715Nm)			10 bar-150 bar
	Operation Pressure	150bar				150bar			Drilling 3-5 liter/min
Accumulator Gas	Oil Flow	50 liter/min				100 liter/min			Feeding 10-100 liter/min
	High Pressure(HP)	45 bar	45 bar	45 bar		65 bar	65 bar	65 bar	
Flushing Air	Low Pressure(LP)	4 bar	4 bar	4 bar		6 bar	6 bar	6 bar	
	Air Flow	3.5 m <sup>3</sup> /min	3.5 m <sup>3</sup> /min	3.5 m <sup>3</sup> /min		6 m <sup>3</sup> /min	6 m <sup>3</sup> /min	6 m <sup>3</sup> /min	10 bar-150 bar
Lubrication	Air Pressure	6-7 bar	6-7 bar	6-7 bar		10-12 bar	10-12 bar	10-12 bar	10-100 liter/min
	Air Flow	0.12 m <sup>3</sup> /min	0.12 m <sup>3</sup> /min	0.12 m <sup>3</sup> /min		0.12 m <sup>3</sup> /min	0.12 m <sup>3</sup> /min	0.12 m <sup>3</sup> /min	Extreme Pressure Oil
Flushing Water	Air Pressure	3 bar	3 bar	3 bar		3 bar	3 bar	3 bar	
	Water Flow	2.5 liter/min	2.5 liter/min	2.5 liter/min		25 liter/min	25 liter/min	25 liter/min	
Shank Adaptor	Air Pressure	7 bar	7 bar	7 bar		7 bar	7 bar	7 bar	
	Shank	R32	R32	R32		T38,T45	T38,T45	T38,T45	
Hole Range	Hole Range	48-64 mm	48-64 mm	48-64 mm		89-102 mm	89-102 mm	89-102 mm	

## HRD-300S SERIES DIMENSION



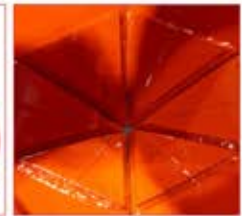
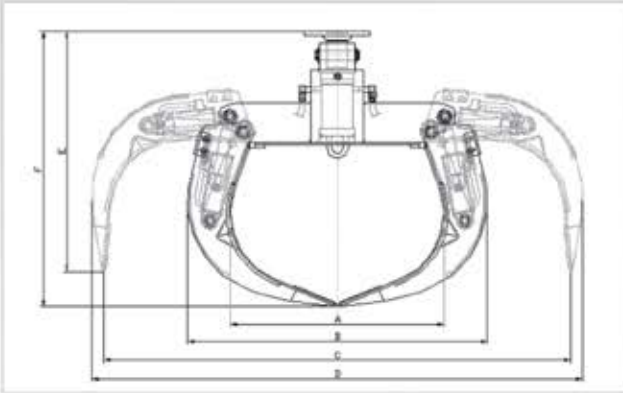
## HRD-500S SERIES DIMENSION





# GRAPPLE

High durability with light weight scrap grapple made of special high-tensile steel is widely used for both local market and overseas markets as an accessory of hydraulic crane using for recycling.



## SPECIFICATIONS

MODEL	A	B	C	D	E	F	Weight(kg)	Capacith(m <sup>3</sup> )	Mounting
TK045	808	1,091	1,750	1,877	810	956	425	0.45	PCD 173 6-Ø18
TK040	742	1,035	1,700	1,770	1,759	912	400	0.4	
TK035	766	1,038	1,608	1,723	755	897	375	0.35	
TK025	664	905	1,335	1,469	705	780	340	0.25	

# BASKET

Personnel basket is generally installed at hydraulic crane for aerial work. Strong welding and compact design by secure safety for aerial worker and also provide convenience with simple, but efficient rotation system.



## SPECIFICATIONS

Weight	127kg
Size	1,400mm(L)×850mm(W)×881.6mm(H)
Rotation Type	Reduction Gear Type
Loading Weight	Under 200kg



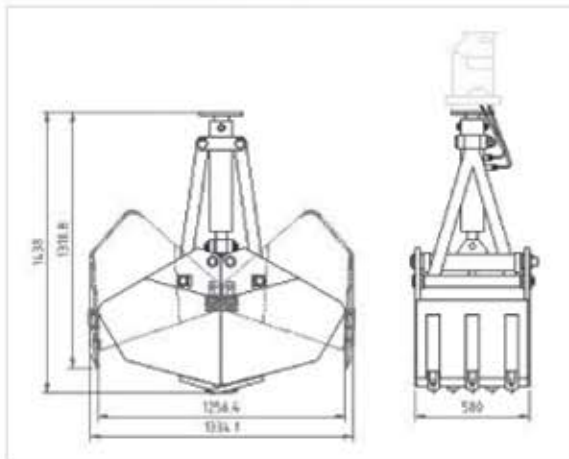
# CLAMSHELL

This is a dredge bucket that can be installed at the end of a crane and used for river dredging or construction site. The bucket is able to be opened and closed by a hydraulic cylinder and manufactured to have high durability by using teeth made of wear resistant steel.

## SPECIFICATIONS

Volume	0.4m <sup>3</sup>
Max. pressure	230kgf/cm <sup>2</sup>

## DIMENSION



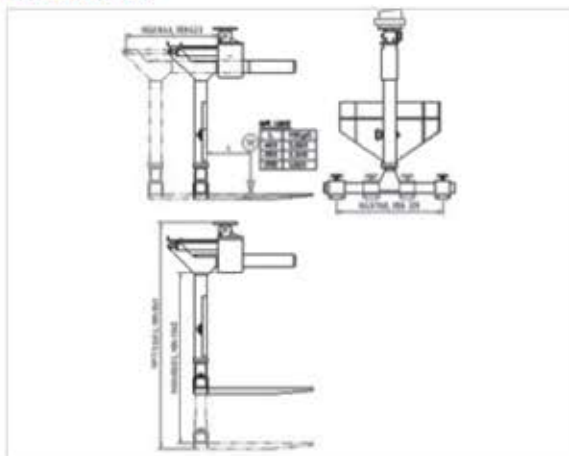
# PALLET FORK

This enables great convenience for when it needs to carry heavy loads on a pallet by crane. Once the cylinder and hydraulic rotator is installed to control the center of gravity, rotation is also possible which can allow it to be conveniently lifted in any direction.

## SPECIFICATIONS

Pallet fork width adjustment range	330 ~ 968mm
Max. capacity	2500Kg
Forward/backward distance of pallet fork	410mm

## DIMENSION







THE BEST  
TECHNOLOGY  
IN THE WORLD IS  
CUSTOMER  
SATISFACTION

[www.taekang.net](http://www.taekang.net)

 INDUSTRIAL CO.,LTD  
**TAEKANG**

198-12, Jugamdowon-ro, Seowon-Gu, Cheongju-si, Chungcheongbuk-do, Korea, 28213  
Tel : +82-43-262-5354 Fax : +82-43-262-5355